



## Technical proposal

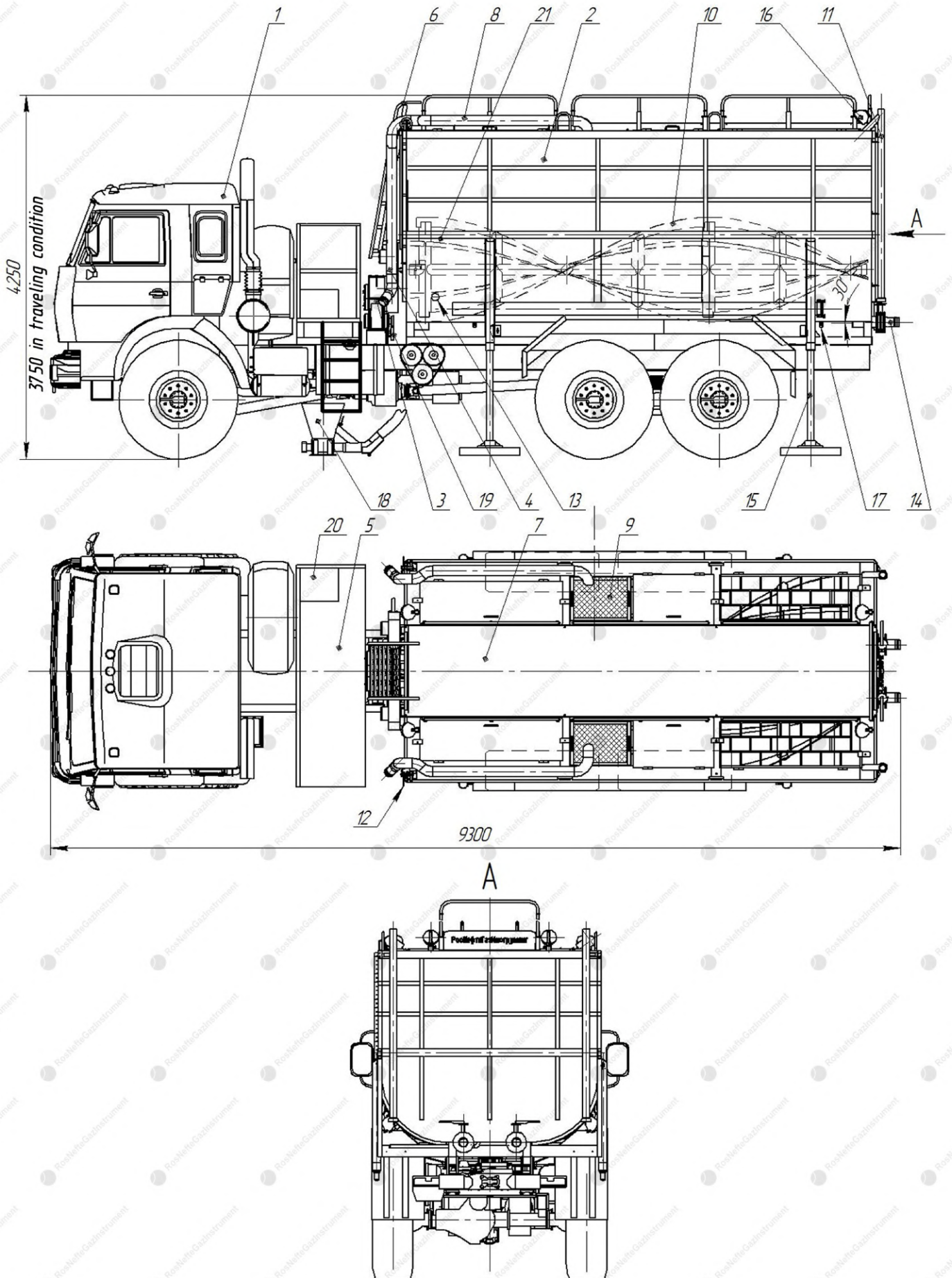
### USO-20R1-01 The mixing-averaging unit

The mobile mixing and averaging unit is designed to stabilize the parameters of grouting (cement) mortars and other sand-liquid mixtures. Pumping of the grouting solution from the tank into the well is carried out by means of pumping units.

The mixing-averaging unit consist of:

1 - Chassis KAMAZ 43118; 2 – Trip tank (2 compartments); 3 – Reducer; 4 – Chain-drive for stirrer; 5 – Transition platform; 6 – Ladder; 7 – Servicing platform; 8 – Loading pipeline (DN 4"); 9 – Baskets; 10 – Stirrers; 11 – Hydraulic feeder (DN 2"); 12 – slurry level indicator; 13 – Sampler; 14 - Unloading pup joint (DN 4"); 15 – Jacks; 16 – Interior space lights of the container; 17 – Steam supply fitting pipe; 18 – Hydro-pressure mixer; 19 – Reducer drive chain; 20 – Tool box; 21 – LED light of the sampler.

Parameter name	USO-20R1-01
Tank volume, m <sup>3</sup>	20 (2x10)
Accumulating slurry density up to, g/cm <sup>3</sup>	2,5
Allowable fluctuation in slurry density, g/cm <sup>3</sup>	0,01
Maximum feed of the original cementing slurry to the plant, dm <sup>3</sup> /s	50
Tilt angle of the tank, deg., min	0,5
Mixer specifications:	
- Functional principle;	Mechanical
- Type;	two-shaft auger-drill
- Rotation rate min, rpm	20-25
Nominal diameters of pipeline flow area, mm:	
- receiving	100
- outlet collectors	100
- hydraulic feeder	50
Unit dimension, mm, max	
- Length	9300
- Width	2500
- Height	3750
Hydraulic pressure mixer performance, dm <sup>3</sup> /s	25
The hydraulic mixer burner pressing, MPa	1-9
Chassis (in the basic configuration):	
- Name	43118-3027-46
- Wheel arrangement	6x6 (Single-slope busbar)
- Gear box	154
- truck sleeper	Not included in the basic package
- ICE power, hp (emission standard)	300 (Euro-5)
- fuel tanks, l	350+210
- heating of fuel strainer and fuel intake	Install
- starting preheater	14TS-01
Power take-off device, brand	MP24-4208010-20



Pic. 1 USO-20R1-01 The mixing-averaging unit.



## Additional options

Name	Value	Required equipment
Climatic category GOST 15150-69	boreal climate (work -45...+40°C) (storing upto - 60 °C)	<input type="checkbox"/>
Battery compartment and cab	Insulated version	<input type="checkbox"/>
Electric heater for ICE	(220v; 3,5 kW)	<input type="checkbox"/>
Cabin air heater	Planar	<input type="checkbox"/>
Spark killer	Install	<input type="checkbox"/>
Lower platform lighting	Install	<input type="checkbox"/>
Cabin color	Blue	<input type="checkbox"/>
Tank color	Blue	<input type="checkbox"/>
Spare wheel bracket	Behind the cabin	<input type="checkbox"/>