



RNGI



Pup joint

TI-R1

PUP JOINT TI-R1



pic. 1

Pup joints are used for high-pressure well piping, hydraulic fracturing, test lines, cementing and circulation lines, as well as for other applications in servicing and stimulating well productivity.

Technical specifications of pup joint TI-R1

TI-3"-2000-105R1.1502.FxM

1/ 2/ 3/ 4/ 5/ 6/ 7/

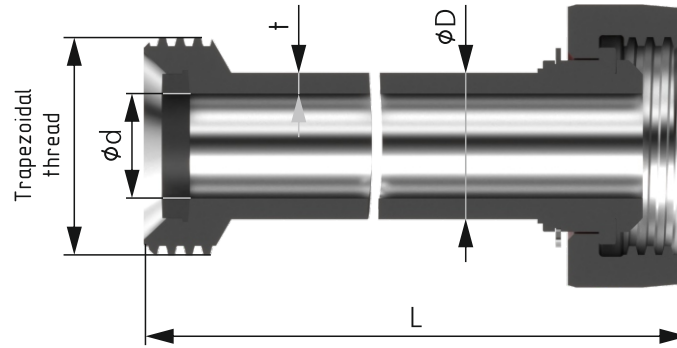
- 1. - Pup joint
- 2. - DN, inch
- 3. - Length, mm
- 4. - Working pressure, Mpa
- 5. - Modification number
- 6. - Thread type
- 7. - Style

An example of a symbol when ordering TI 2" with trapezoidal thread CnTr100x12.7 (Russian) and length L = 1000 mm:

TI-2"-1000-105R1.FxM

An example of a symbol when ordering a TI 2" figure 206 with a trapezoidal thread WECCO (American) 3-13 / 32" ACME 4 TPI -2G (86.52x6.35) and length L = 2000 mm:

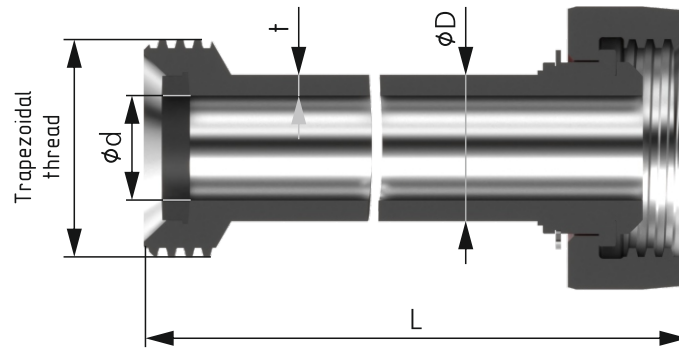
TI-2"-2000-14R1.206.FxM

Technical specifications of pup joint TI-2"R1


pic. 2

Attributes	TI-2"-1000-14R1.206.FxM	TI-2"-2000-14R1.206.FxM	TI-2"-4000-14R1.206.FxM
Nominal diameter, d, mm	50 (2")	50 (2")	50 (2")
Outer diameter, D, mm	75	75	75
Wall thickness, t, mm	12,5	12,5	12,5
Length, L, mm*	1000	2000	4000
Trapezoidal thread	WECO Fig.206		
ACME thread	3-13/32" ACME 4 TPI -2G (86,52x6,35)		
Working pressure, MPa (Psi)	14 (2000)		
Weight, kg	23	42,4	81
Attributes	TI-2"-1000-41R1.602.FxM	TI-2"-2000-41R1.602.FxM	TI-2"-4000-41R1.602.FxM
Nominal diameter, d, mm	50 (2")	50 (2")	50 (2")
Outer diameter, D, mm	75	75	75
Wall thickness, t, mm	12,5	12,5	12,5
Length, L, mm*	1000	2000	4000
Trapezoidal thread	WECO Fig.602		
ACME thread	3-13/16" STUB ACME 3 TPI -2G (96,84x8,467)		
Working pressure, MPa (Psi)	41 (6000)		
Weight, kg	23	42,4	81
Attributes	TI-2"-1000-105R1.1502.FxM	TI-2"-2000-105R1.1502.FxM	TI-2"-4000-105R1.1502.FxM
Nominal diameter, d, mm	50 (2")	50 (2")	50 (2")
Outer diameter, D, mm	75	75	75
Wall thickness, t, mm	12,5	12,5	12,5
Length, L, mm*	1000	2000	4000
Trapezoidal thread	WECO Fig.1502		
ACME thread	4-1/8" ACME 3 TPI -2G (104,775x8,467)		
Working pressure, MPa (Psi)	70...105 (10000...15000)		
Weight, kg	23	42,4	81
Attributes	TI-2"-1000-105R1.FxM	TI-2"-2000-105R1.FxM	TI-2"-4000-105R1.FxM
Nominal diameter, d, mm	50 (2")	50 (2")	50 (2")
Outer diameter, D, mm	75	75	75
Wall thickness, t, mm	12,5	12,5	12,5
Length, L, mm*	1000	2000	4000
Trapezoidal thread	special trapezoidal 100x12,7		
Working pressure, MPa (Psi)	35...105 (5000...15000)		
Weight, kg	23	42,4	81

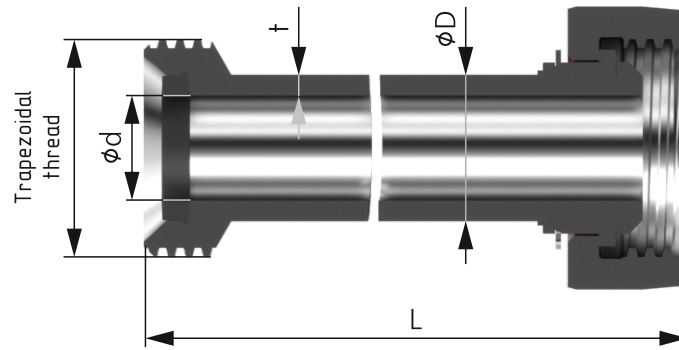
* - pipe length by agreement with the consumer, it is possible to manufacture lengths of multiples of 1 foot. The remaining TI sizes are determined by the corresponding QRC.

Technical specifications of pup joint TI-2"R1


pic. 2

Attributes	TI-3"-1000-14R1.206.FxM	TI-3"-2000-14R1.206.FxM	TI-3"-4000-14R1.206.FxM
Nominal diameter, d, mm	76 (3")	76 (3")	76 (3")
Outer diameter, D, mm	94	94	94
Wall thickness, t, mm	9	9	9
Length, L, mm*	1000	2000	4000
Trapezoidal thread	WECO Fig.206		
ACME thread	4-13/16" ACME 4 TPI -2G (122,24x6,35)		
Working pressure, MPa (Psi)	14 (2000)		
Weight, kg	29	47,4	85,4
Attributes	TI-3"-1000-41R1.602.FxM	TI-3"-2000-41R1.602.FxM	TI-3"-4000-41R1.602.FxM
Nominal diameter, d, mm	76 (3")	76 (3")	76 (3")
Outer diameter, D, mm	94	94	94
Wall thickness, t, mm	9	9	9
Length, L, mm*	1000	2000	4000
Trapezoidal thread	WECO Fig.602		
ACME thread	5-3/8" STUB ACME 3 TPI -2G (136,525x8,467)		
Working pressure, MPa (Psi)	41 (6000)		
Weight, kg	29	47,4	85,4
Attributes	TI-3"-1000-105R1.1502.FxM	TI-3"-2000-105R1.1502.FxM	TI-3"-4000-105R1.1502.FxM
Nominal diameter, d, mm	76 (3")	76 (3")	76 (3")
Outer diameter, D, mm	100	100	100
Wall thickness, t, mm	12	12	12
Length, L, mm*	1000	2000	4000
Trapezoidal thread	WECO Fig.1502		
ACME thread	5-3/8" ACME 3-1/2 TPI -2G (136,525x7,257)		
Working pressure, MPa (Psi)	70...105 (10000...15000)		
Weight, kg	35	61,5	113,3
Attributes	TI-3"-1000-105R1.FxM	TI-3"-2000-105R1.FxM	TI-3"-4000-105R1.FxM
Nominal diameter, d, mm	76 (3")	76 (3")	76 (3")
Outer diameter, D, mm	100	100	100
Wall thickness, t, mm	12	12	12
Length, L, mm*	1000	2000	4000
Trapezoidal thread	special trapezoidal 136x12,7		
Working pressure, MPa (Psi)	35...105 (5000...15000)		
Weight, kg	35	61,5	113,3

* - pipe length by agreement with the consumer, it is possible to manufacture lengths of multiples of 1 foot. The remaining TI sizes are determined by the corresponding QRC.

Technical specifications of pup joint TI-2"R1


pic. 2

Attributes	TI-4"-1000-14R1.206.FxM	TI-4"-2000-14R1.206.FxM	TI-4"-4000-14R1.206.FxM
Nominal diameter, d, mm	100 (4")	100 (4")	100 (4")
Outer diameter, D, mm	122	122	122
Wall thickness, t, mm	10	10	10
Length, L, mm*	1000	2000	4000
Trapezoidal thread	WECO Fig.206		
ACME thread	6-1/8" ACME 3 TPI - 2G (155,575x8,467)		
Working pressure, MPa (Psi)	14 (2000)		
Weight, kg	37,4	65,1	120,4
Attributes	TI-4"-1000-41R1.602.FxM	TI-4"-2000-41R1.602.FxM	TI-4"-4000-41R1.602.FxM
Nominal diameter, d, mm	100 (4")	100 (4")	100 (4")
Outer diameter, D, mm	122	122	122
Wall thickness, t, mm	10	10	10
Length, L, mm*	1000	2000	4000
Trapezoidal thread	WECO Fig.602		
ACME thread	6-1/4" STUB ACME 3 TPI -2G (158,75x8,467)		
Working pressure, MPa (Psi)	41 (6000)		
Weight, kg	37,4	65,1	120,4
Attributes	TI-4"-1000-105R1.1502.FxM	TI-4"-2000-105R1.1502.FxM	TI-4"-4000-105R1.1502.FxM
Nominal diameter, d, mm	100 (4")	100 (4")	100 (4")
Outer diameter, D, mm	124	124	124
Wall thickness, t, mm	12	12	12
Length, L, mm*	1000	2000	4000
Trapezoidal thread	WECO Fig.1502		
ACME thread	6-11/16" STUB ACME 3 TPI M1 -2G (169,86x8x467)		
Working pressure, MPa (Psi)	70...105 (10000...15000)		
Weight, kg	46,4	80,2	147,6
Attributes	TI-4"-1000-105R1.FxM	TI-4"-2000-105R1.FxM	TI-4"-4000-105R1.FxM
Nominal diameter, d, mm	100 (4")	100 (4")	100 (4")
Outer diameter, D, mm	124	124	124
Wall thickness, t, mm	12	12	12
Length, L, mm*	1000	2000	4000
Trapezoidal thread	special trapezoidal 160x12,7		
Working pressure, MPa (Psi)	35...105 (5000...15000)		
Weight, kg	46,4	80,2	147,6

* - pipe length by agreement with the consumer, it is possible to manufacture lengths of multiples of 1 foot. The remaining TI sizes are determined by the corresponding QRC.



RNGI

phone:
+1 (512) 861-19-64

e-mail: manager@rngi.net
www.rngi.net