

Cement displacement plug

rngi.net

PRP-C-R1

CEMENT DISPLACEMENT PLUG PRP-C-R1

Cement displacement plugs are used during cementing (grouting) operations in the well and are designed to clean the inner surface of the casing string, separation, and prevent mixing of cement (grouting) mortar and buffer fluid pumped in front of it.

Technical specification of cement displacement plug PRP-C-R1

Name	PRP-C-102R1	PRP-C-114R1	PRP-C-140R1
Height	7 $\frac{3}{32}$ " / 180 mm	7 $\frac{7}{8}$ " / 200 mm	9 $\frac{1}{16}$ " / 230 mm
Outside diameter OD	3 $\frac{47}{64}$ " / 95 mm	4 $\frac{9}{64}$ " / 105 mm	5 $\frac{15}{32}$ " / 139 mm
Sealing diameter, max	3 $\frac{21}{32}$ " / 93 mm	4 $\frac{1}{16}$ " / 103 mm	5 $\frac{15}{64}$ " / 133 mm
Sealing diameter, min	3 $\frac{25}{64}$ " / 90 mm	3 $\frac{55}{64}$ " / 98 mm	4 $\frac{7}{8}$ " / 124 mm
Allowed "Stop" differential pressure, PSI (atm)	1102 (75)	1029 (70)	1029 (70)
Weight, lbs (kg)	2.65 (1.2)	3.31 (1.5)	6.17 (2.8)

Name	PRP-C-168R1	PRP-C-178R1	PRP-C-194R1
Height	8 $\frac{21}{32}$ " / 220 mm	8 $\frac{55}{64}$ " / 225 mm	10 $\frac{7}{16}$ " / 265 mm
Outside diameter OD	6 $\frac{7}{32}$ " / 158 mm	6 $\frac{37}{64}$ " / 167 mm	7 $\frac{9}{32}$ " / 185 mm
Sealing diameter, max	6 $\frac{1}{16}$ " / 154 mm	6 $\frac{29}{64}$ " / 164 mm	7 $\frac{3}{32}$ " / 180 mm
Sealing diameter, min	5 $\frac{9}{32}$ " / 134 mm	5 $\frac{29}{32}$ " / 150 mm	6 $\frac{29}{64}$ " / 164 mm
Allowed "Stop" differential pressure, PSI (atm)	1029 (70)	1029 (70)	1029 (70)
Weight, lbs (kg)	6.39 (2.9)	7.5 (3.4)	15.43 (7.0)

Name	PRP-C-219R1	PRP-C-245R1	PRP-C-273R1
Height	11 $\frac{17}{64}$ " / 290 mm	11 $\frac{59}{64}$ " / 295 mm	14 $\frac{61}{64}$ " / 380 mm
Outside diameter OD	8 $\frac{17}{64}$ " / 210 mm	9 $\frac{11}{64}$ " / 233 mm	10 $\frac{23}{64}$ " / 267 mm
Sealing diameter, max	8 $\frac{5}{64}$ " / 205 mm	9 $\frac{1}{16}$ " / 230 mm	10 $\frac{7}{16}$ " / 265 mm
Sealing diameter, min	7 $\frac{31}{64}$ " / 190 mm	8 $\frac{17}{64}$ " / 210 mm	9 $\frac{17}{32}$ " / 250 mm
Allowed "Stop" differential pressure, PSI (atm)	1029 (70)	1029 (70)	1029 (70)
Weight, lbs (kg)	19.84 (9.0)	20.94 (9.5)	55.16 (25.0)

Name	PRP-C-324R1	PRP-C-426R1
Height	15 $\frac{3}{4}$ " / 400 mm	19 $\frac{59}{64}$ " / 490 mm
Outside diameter OD	12 $\frac{31}{64}$ " / 317 mm	16 $\frac{17}{32}$ " / 420 mm
Sealing diameter, max	12 $\frac{23}{64}$ " / 314 mm	16 $\frac{11}{32}$ " / 415 mm
Sealing diameter, min	11 $\frac{13}{16}$ " / 300 mm	15 $\frac{23}{64}$ " / 390 mm
Allowed "Stop" differential pressure, PSI (atm)	1029 (70)	735 (50)
Weight, lbs (kg)	59.53 (27.0)	143.3 (65.0)

Operating temperature, °C: from (-40) to (+130).

Materials of cement displacement plug PRP-C-R1

Outer surface - Rubber mix (7-V-14 TU 2512-046-00-152-081-2003);

Core - cement.

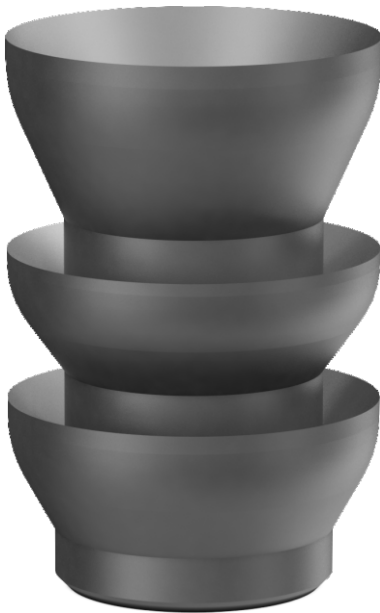
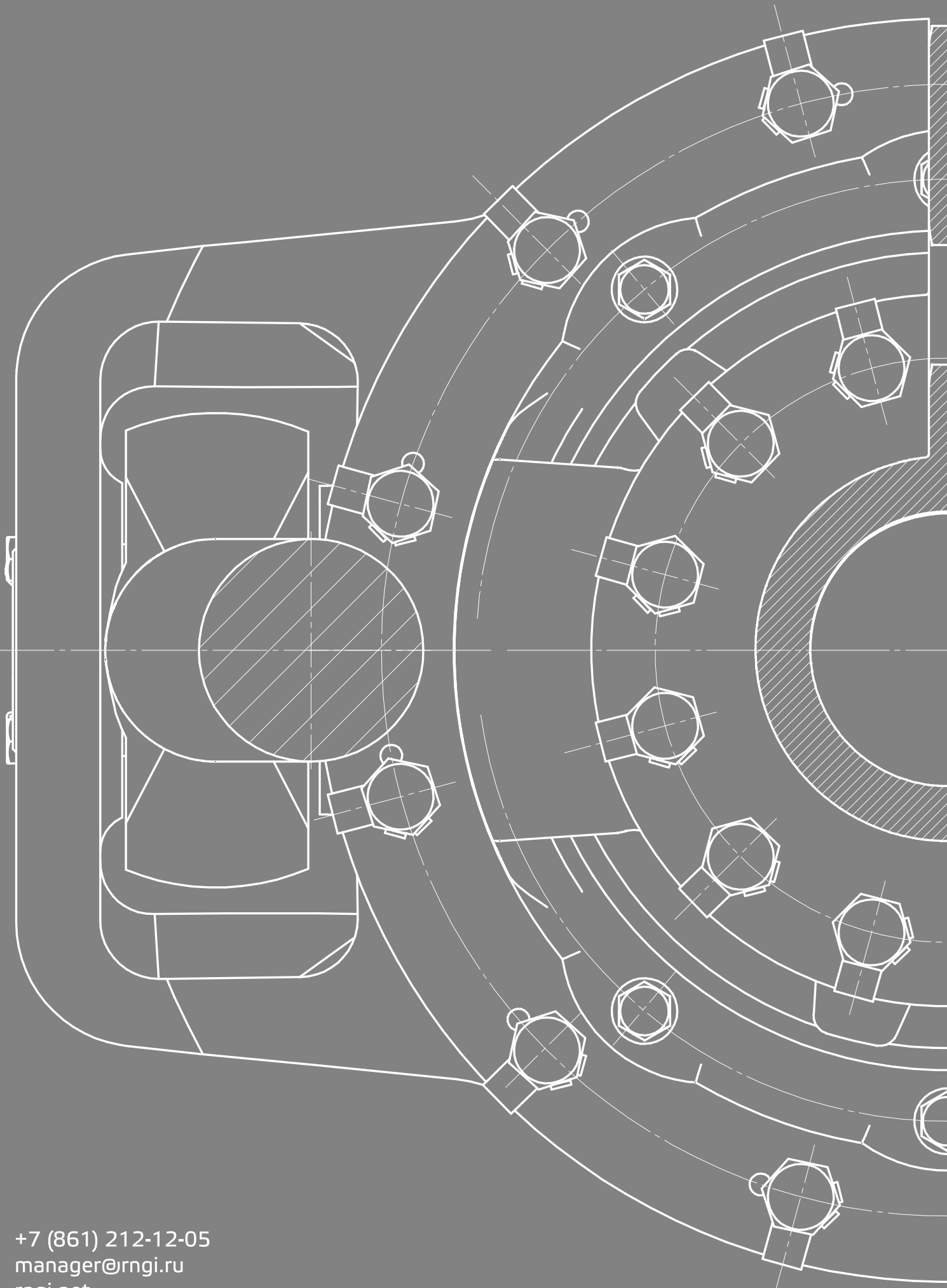


fig. 1



+7 (861) 212-12-05
manager@rngi.ru
rngi.net