



TECHNICAL PROPOSAL

POU packer for mouth crimping.

POU type packers for mouth crimping (hereinafter referred to as packers) are used to verify the leak-tightness of casing string surface part and mounted blowout equipment at pressure, which may occur in case of gas-oil showing, emissions and open flowing, taking into account the auxiliary pressure needed for their elimination.

A packer consists of a hollow shaft (fig. 1), on which a self-sealing pump bucket 2 is mounted with the aid of ring 3, plug 4 and gland nut 5. Above and below the pump bucket positive centralizers are placed indicated by 6 and 7. Sub savers, 8 and 9, are screwed on shaft ends.

Table 1 - Basic parameters and sizes (fig. 1).

Name	Conventional representation
	POU-168R1
Casing string nominal diameter, mm	168
Proof pressure, MPa	21
Maximum load influencing the tubing hanger in pressure test, max., kN	500
Diameter of NKT columns and drilling pipes that are provided to be used with packers, mm	60,73,89, 102,114
Maximum length of NKT columns descended into the casing string in pressure test, mm	2 500
Thickness of the walls of casing strings for which operation the possible options of the packers supplied may be gathered, mm	8.0-12.1
Packer length L, mm	880
Weight, max., kg	65
Handling medium	Drilling slurry, oil, water, damping fluid
Ambient conditions, °C	from - 40 to +100
Inner feedthrough, d, mm	50
Coupling thread dimensions, GOST 633-80 - upper thread d, mm; - lower thread d ₁ , mm; - shaft thread d ₂ , mm;	NKT-89 NKT-73 NKT-73

In ordering a packer, please specify the required construction of packer elements depending on the wall of the casing column applied.

Table 2 - Basic dimensions of centering elements and couplings.

Labeling	Casing string wall thickness, mm	Centralizer diameter, D, mm	Ring diameter, D ₁ , mm	Coupling diameter, D ₂ , mm	Required construction
POU-168R1	8.0	146.5	146.0	152.4	□
	8.9				
	10.6	141.1	140.6	148.2	□
	12.1				

The product is attached with operating instructions and certificate. If you need to order supplementary replacement parts, please fill in table 3.

Table 3 - Number of supplementary replacement parts (at option).

Labeling	Casing string wall thickness, mm	Number of centralizers (pos. 6), pcs.	Number of rings (pos. 3), pcs.	Number of couplings (pos. 2), pcs.
POU-168R1	8.0			
	8.9			
	10.6			
	12.1			

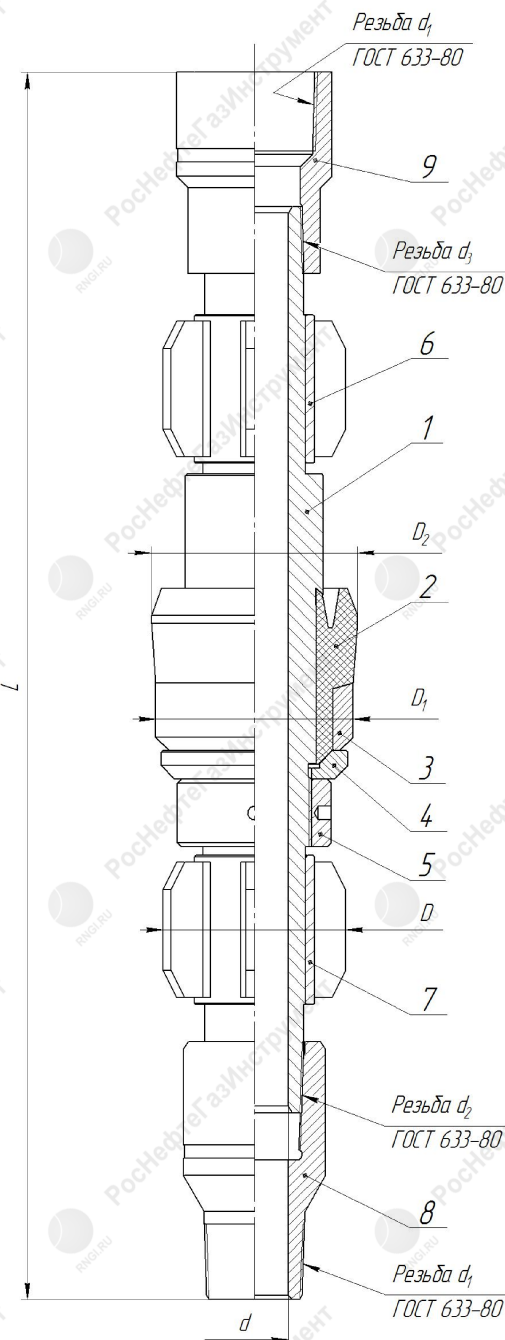


Fig. 1