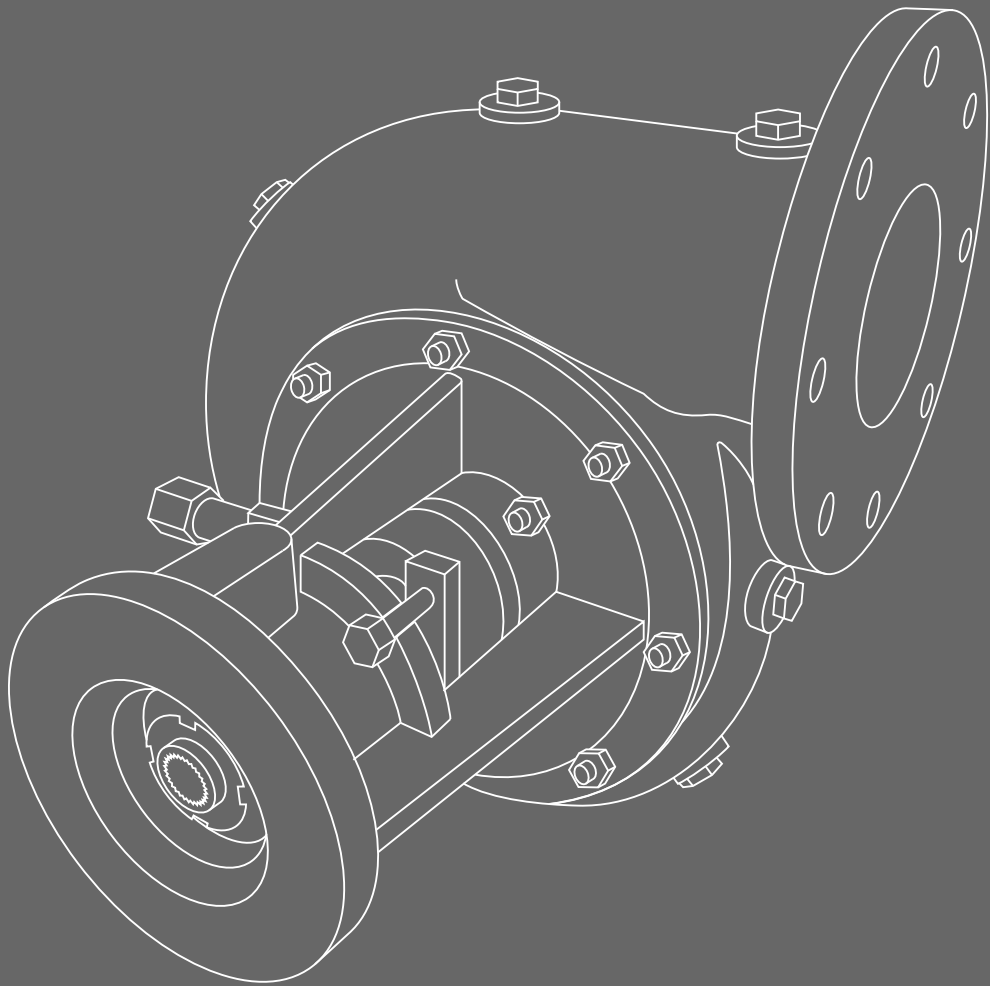




RNGI



Centrifugal pump

NC-152R1

NC-152R1 SERIES CENTRIFUGAL PUMP

Centrifugal pumps of **NC-152R1** series is intended to pump various liquids:

- abrasive hydraulic fluids (clay and gravel mortars, mixtures of water and sand, ore, etc.);
- flushing liquid used in the course of well drilling;
- household and industrial waste waters;
- spent flushing liquid (into cyclone plant to clean it of drilled solids);
- cement mortars.

Advantages of centrifugal pump NC-152R1:

- simple maintenance;
- light weight;
- compact size;
- extreme durability;
- minimal installation space requirements;
- all parts are steel casted;
- stainless steel impeller;
- increased wearing resistance of pump components;
- horizontal or vertical layout;
- versatile, modular design that allows customers to purchase only the parts necessary for repairs;
- ability to alter rotation direction, which is possible because it is simple to install an impeller suitable for the necessary rotation and volute direction (only the impeller is to be replaced, while all other parts remain the same);
- exposed impeller.

Pumped fluid properties:

hydraulic fluid density, kg/m³

temperature, °C

solid particle content

solid particle maximal size, mm

up to 2500

+5 ... +55

up to 60%

at most 20

Technical specifications:

Pump overall dimensions (LxWxH), mm

Inlet port diameter, mm

Outlet port diameter, mm

Impeller diameter, mm

Maximal speed, rpm

Weight, kg, ±3%

Maximal head, m

Maximal flow, m³/h (lps)

Component materials:

Impeller

Other components (castings)

Other components (except castings)

680x640x530

203 (8") ASME/ANSI B 16.5 Class 150

153 (6") ASME/ANSI B 16.5 Class 150

360 (14")

2300

195

117

498 (138)

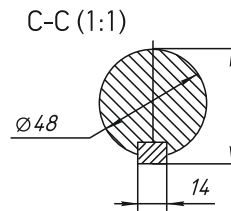
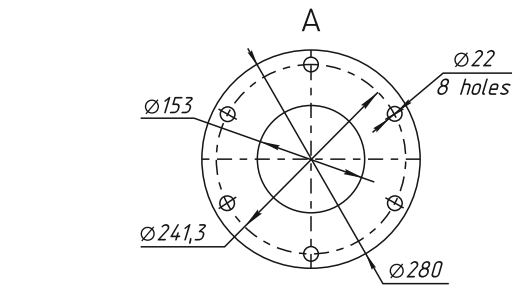
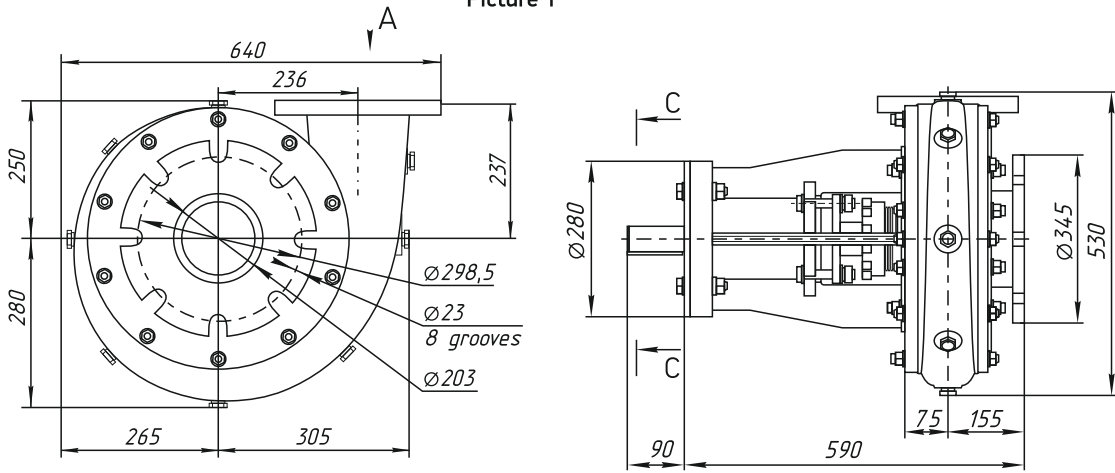
20H13L

40HL

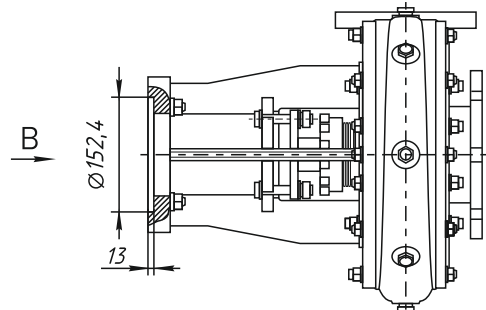
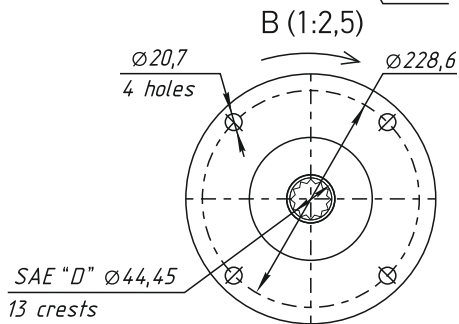
40H

Centrifugal pump NC-152P1 (8" x 6" x 14"). Dimensions.

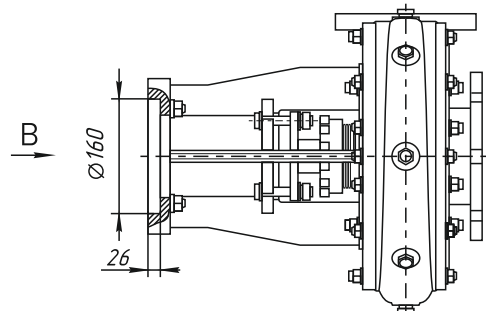
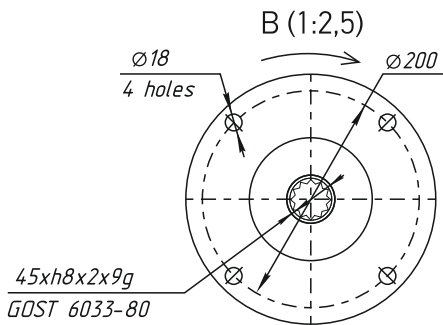
Picture 1



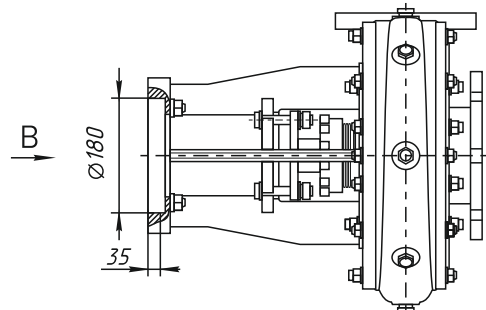
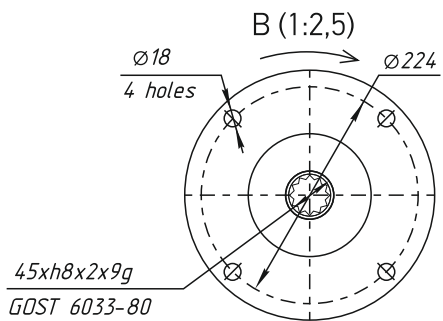
Picture 2
See more pic. 1



Picture 3
See more pic. 1



Picture 4
See more pic. 1

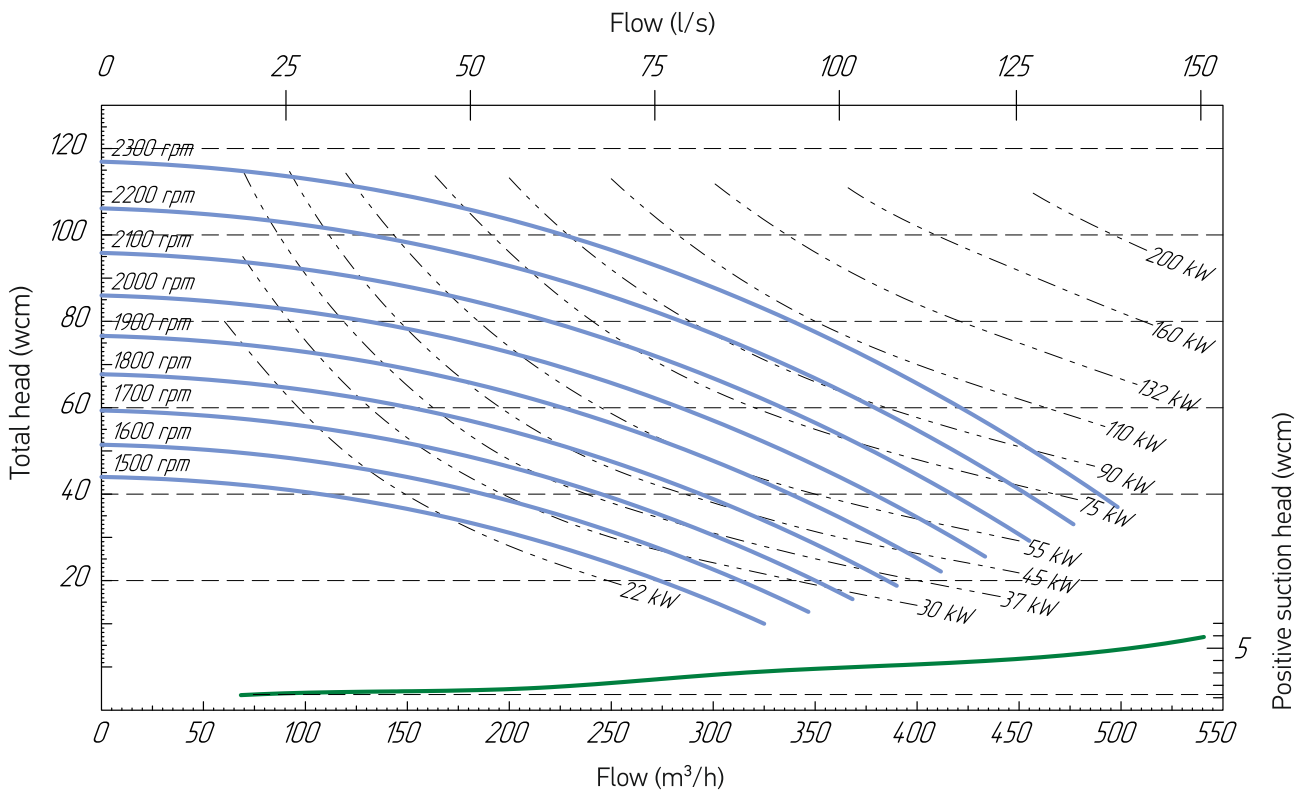


Pump modifications

Typesize	Pic.	Connection	Rotation
NC-152R1	1	Coupling	C.W./C.C.W.
NC-152R1-01	2	Connection to hydraulic motor with SAE "D" flange with 4 holes	C.W./C.C.W.
NC-152R1-02	3	Connection to hydraulic motor 310.X.112.00.XX	C.W./C.C.W.
NC-152R1-03	4	Connection to hydraulic motor 310.X.160.00.XX	C.W./C.C.W.

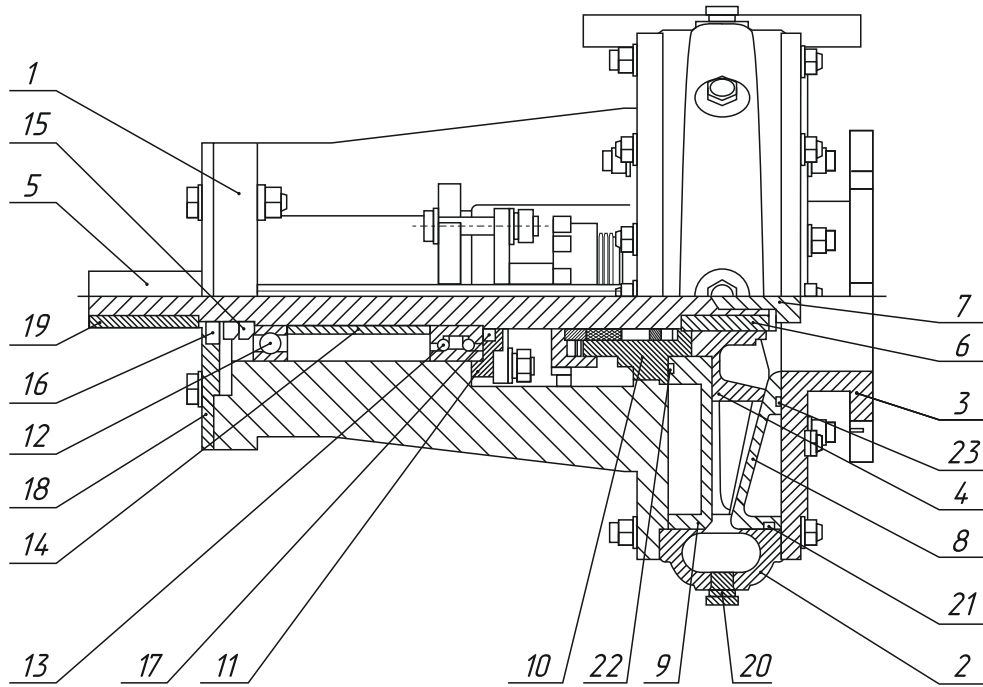
Additional parameters

Name	The option of the performance
Shaft seal type	Gland seal
	Mechanical seal



Pump card

Centrifugal pump NC-152R1 manufactured by Rosneftgazinstrument is a small and compact device intended for high pressure feeding of three-cylinder piston pumps involved in wells operation. It is specially designed to pump abrasive mixtures (sludge) and cement mortars. The pumps are manufactured by means of contemporary CNC equipment. Our centrifugal pumps are suitable for various industries.



Centrifugal pump NC-152P1 (8"x6"x14"). Structure.

1	body
2	volute diffuser with outlet fitting 6"
3	inlet fitting 8"
4	full opening impeller 14"
5	shaft
6	impeller keystone
7	bolt for locking the impeller to the spindle
8, 9	front and rear wear-related shrouds
10	seal assembly
11	cap
12, 13	bearings
14	spacing sleeve
15	clamping nut
16*, 17	oil seal
18*	shield
19*	shaft key
20	plug K3/8" GOST 6111-52
21, 22, 23	o-rings GOST 9833-73

* - for centrifugal pump NC-152R1 using a shaft for a key



RNGI

phone:
+1 (512) 861-19-64

e-mail: manager@rngi.net
www.rngi.net

